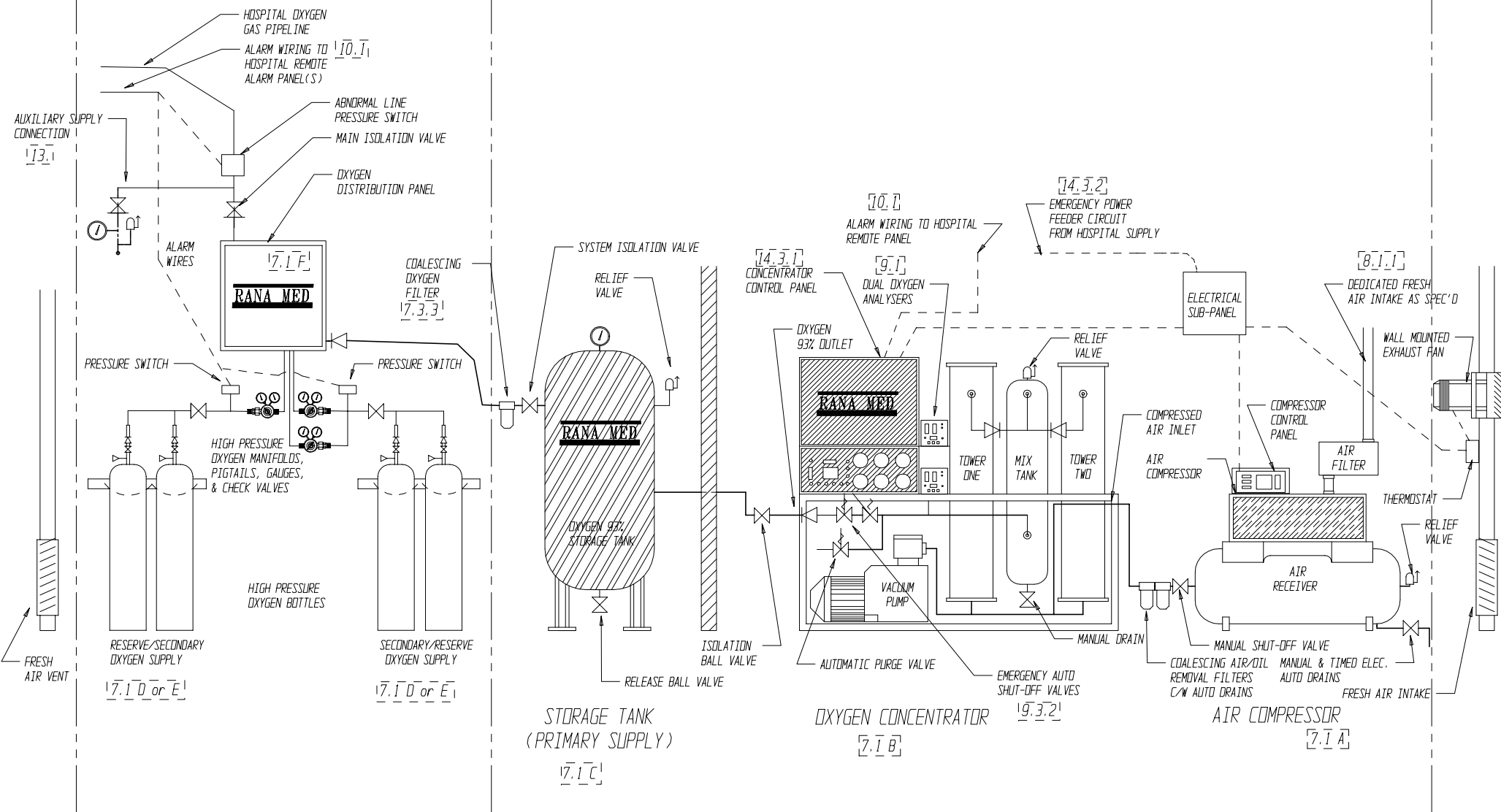


CONTROL EQUIPMENT & SECONDARY/RESERVE SUPPLY

MEDICAL OXYGEN CONCENTRATOR SYSTEM (PRIMARY SUPPLY)



OXYGEN STORAGE ROOM

OXYGEN CONCENTRATOR MECHANICAL ROOM

□ □ INDICATES REFERENCE CLAUSE AS PER CAN/CSA Z305.6-92

NO.	DATE	REVISION	BY:	CHK:
1	June 30/99	Layout, Oxygen Piping	AJK	

DRAWN BY: BAS
 DATE: SEPT. 28/94

DRWG #. 94-A-0192
 TITLE SYSTEM GENERAL ARRANGEMENT WITH CYLINDER SECONDARY/RESERVE

REPLACES DRWG No. OCSYSTEM



RIMER ALCO NORTH AMERICA
 15 JEFFERSON ST.
 MORDEN, MB. CAN. R6M 1Y4
 Phone: (204) 822-6595
 Fax: (204) 822-3852

FIGURE 1a